

# NV51K6650SS

5.1 cu. ft. Single Wall Oven



Stainless Steel



Steam Cook



True Dual Convection

## Features

- Electronic Touch Display
- WiFi Connectivity
- WiFi-Enabled Temperature Probe
- Signature LED Lights
- Large Oven Window
- 3 Heavy Duty Racks including a Gliding Rack
- Broil Element
- Smart Control Key
- 6 Rack Positions
- Drop-Down Door Design
- Full Touch Control Method

## Convenience

- Rapid Preheat
- Sabbath Mode
- Hybrid and Self Clean
- Hidden Bake Element
- Delay Start
- Convection Conversion
- Child Safety Lock
- Proofing
- Warming Mode
- Kitchen Timer

## Signature Features

### Steam Cook

- Delivers moisture at precise times for a crisp and brown outside and tender inside.

### True Dual Convection

- Two fans circulate air for faster, more even and efficient cooking.

### 5.1 cu. ft. Capacity

- Accommodates a roast, multiple casserole dishes or several racks of cookies.

**SAMSUNG**

# NV51K6650SS

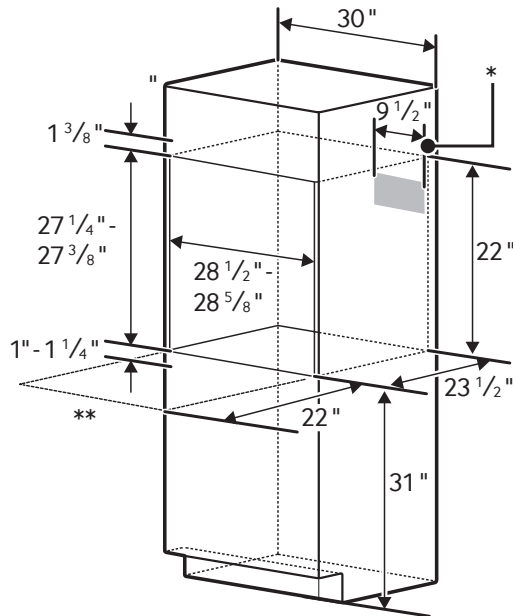
5.1 cu. ft. Single Wall Oven

## Cabinet Dimensions

Single Oven Installed in Cabinet

\*Junction Box

\*\* Allow a minimum of 22" for clearance to adjacent corners, drawers, walls, etc. when door is open.



## Convection Wall Oven

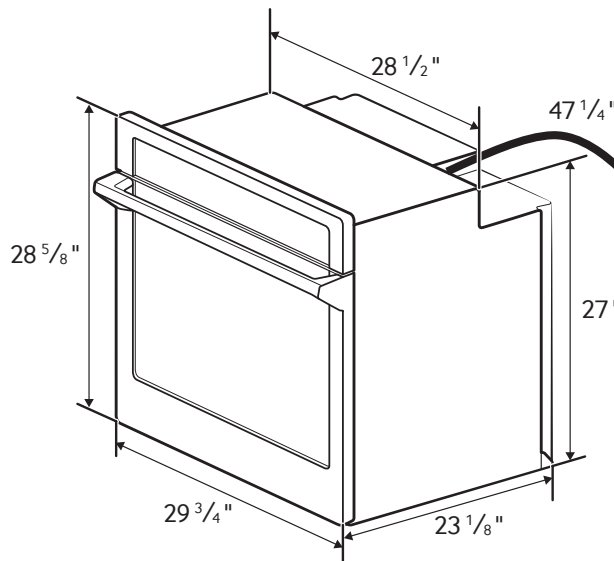
- Hidden Bake Element
- Bake: 175°F–550°F
- Convection Bake: 175°F–550°F
- Convection Roast: 175°F–550°F
- Broil: Low-High
- Steam Bake: 230°F–550°F
- Steam Roast: 230°F–550°F
- Bread Proofing
- Sabbath Mode

## Warranty

One (1) Year All Parts and Labour

## Product Dimensions

Refer to installation manual for more details.



COLOUR	MODEL #	UPC CODE
Stainless Steel	NV51K6650SS	887276184029

MODEL #	240 VAC	208 VAC
	kW	kW
NV51K6650SS	4.9	3.7

PLEASE VISIT [SAMSUNG.COM](http://SAMSUNG.COM) FOR OUR LATEST UPDATES.

Actual colour may vary. Design, specifications, and colour availability are subject to change without notice. Non-metric weights and measurements are approximate.

© 2016 Samsung Electronics Canada Inc. All rights reserved. Samsung is a registered trademark of Samsung Electronics Co., Ltd., used with permission.

# SAMSUNG